

POINT CONTACT DIODE

Germanium diode in all-glass DO-7 envelope intended for general purposes.

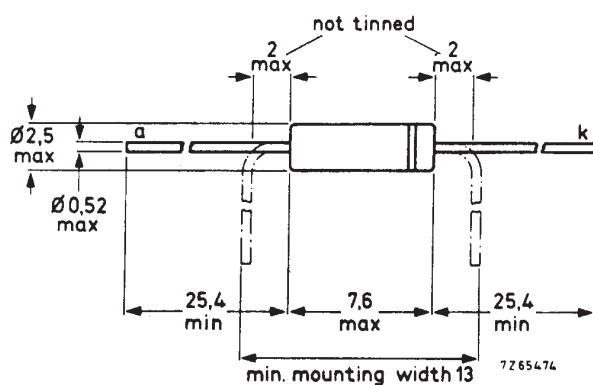
QUICK REFERENCE DATA

| | | | |
|----------------------------------|-----------|------|--------|
| Continuous reverse voltage | V_R | max. | 90 V |
| Repetitive peak reverse voltage | V_{RRM} | max. | 115 V |
| Forward current (d.c.) | I_F | max. | 50 mA |
| Repetitive peak forward current | I_{FRM} | max. | 150 mA |
| Operating ambient temperature | T_{amb} | max. | 75 °C |
| Forward voltage at $I_F = 30$ mA | V_F | < | 3,3 V |

MECHANICAL DATA

Dimensions in mm

Fig. 1 DO-7.



The diodes may be supplied either type-branded or with a broad *red* cathode band.

Available for current production only; not recommended for new designs.

RATINGS

Limiting values in accordance with the Absolute Maximum System (IEC 134)

| | | |
|--|-----------|---------------|
| Average reverse voltage (averaged over any 50 ms period) | V_R | max. 90 V |
| Repetitive peak reverse voltage | V_{RRM} | max. 115 V |
| Average forward current (averaged over any 50 ms period) | $I_F(AV)$ | max. 50 mA |
| Repetitive peak forward current | I_{FRM} | max. 150 mA |
| Non-repetitive peak forward current ($t < 1$ s) | I_{FSM} | max. 500 mA |
| Storage temperature | T_{stg} | -65 to +75 °C |
| Ambient temperature | T_{amb} | -55 to +75 °C |

THERMAL RESISTANCE

| | | |
|--------------------------------------|-------------|--------------|
| From junction to ambient in free air | R_{thj-a} | = 0,55 °C/mW |
|--------------------------------------|-------------|--------------|

CHARACTERISTICS

Forward voltage

$I_F = 0,1$ mA

$I_F = 10$ mA

$I_F = 30$ mA

Reverse current

$V_R = 1,5$ V

$V_R = 10$ V

$V_R = 75$ V

$V_R = 100$ V

| | $T_{amb} = 25$ °C | $T_{amb} = 60$ °C |
|-------|--------------------------|---------------------------------------|
| V_F | typ. 0,18 0,1 to 0,25 | typ. 0,1 V 0,05 to 0,2 V |
| V_F | typ. 1,2 0,65 to 1,9 | typ. 1,05 V 0,55 to 1,8 V |
| V_F | typ. 2,1 1,0 to 3,3 | typ. 1,9 V 0,9 to 3,15 V |
| I_R | typ. 1,5 0,3 to 7 | typ. 15 μ A 6 to 45 μ A |
| I_R | typ. 4 0,5 to 11 | typ. 20 μ A 9 to 60 μ A |
| I_R | typ. 40 5,5 to 180 | typ. 115 μ A 35 to 260 μ A |
| I_R | typ. 75 10 to 275 | typ. 190 μ A 60 to 450 μ A |

