

AX5043 Use as Analog FM Transceiver



ON Semiconductor®

www.onsemi.com

Introduction

This application note describes how to use the AX5043 as an analog FM half-duplex transceiver. A modified AX-RadioLAB project, ax5043_analog_FM_demo, is used to demonstrate FM operation.

The AX5043_analog_FM_demo Project

The AX5043_analog_FM_demo_v1.1 project is a modified AX-RadioLAB_v2.3g project. The SLAVE firmware demonstrates analog FM receive, whereas MASTER firmware demonstrates analog FM transmit. AX-RadioLAB and the AXRadioV2API provide a basic setup, allowing to check for the AX5043 IC, to set some general parameters (e.g. carrier frequency) and to range the PLL.

APPLICATION NOTE

The default configuration is for 200 kHz wideband (broadcast) FM. For narrow band FM the following changes should be made: The RX bandwidth should be adjusted using AX-RadioLAB. The TX deviation should be adjusted by changing AX5043_FSKDEV0 in COMMON/fm.c according to the formula in “Transmit side/Software configuration” section.

The following tables list those input parameters of AX-RadioLAB which are relevant here and the derived AX5043 registers relevant for FM operation.

Table 1.

Parameter	Panel	Comment
Ref Osc Config	Pin Configuration	A TCXO should be used for narrow band FM (25 kHz channels). An XTAL is sufficient for common FM radio reception.
PA Config	Pin Configuration	Single ended or differential
VCO Config	Pin Configuration	Internal or external L, depending of carrier frequency.
Carrier frequency	PHY	
RFDIV	PHY	Depending of carrier frequency
Symbol Rate	PHY	AX5043_RXDATARATE is computed from this parameter. In FM RX mode this determines the rate at which the baseband signal is sampled. Typically 100 kS/s.
Channel Spacing	PHY	
Fxtal	PHY	
XTALCAP	PHY	
Transmit Power	PHY	
RX Bandwidth	PHY	

AND9313/D

Table 2.

Register
AX5043_FREQA3
AX5043_FREQA2
AX5043_FREQA1
AX5043_FREQA0
AX5043_DECIMATION
AX5043_RXDATARATE2
AX5043_RXDATARATE1
AX5043_RXDATARATE0
AX5043_AGC_GAIN0
AX5043_AGC_TARGET0
AX5043_PHASE_GAIN0
AX5043_AMPLITUDE_GAIN0
AX5043_FREQDEV10
AX5043_FREQDEV00
AX5043_BBOFFSRES0
AX5043_MODCFGF
AX5043_MODCFGGA
AX5043_TXPWRCOEFFB1
AX5043_TXPWRCOEFFB0
AX5043_PLLRNGCLK
AX5043_BBTUNE
AX5043_BBOFFSCAP
AX5043_TMGRXBOOST
AX5043_TMGRXSETTLE

AX5043_TMGRXOFFSACQ
AX5043_RSSIREFERENCE
AX5043_0xF10
AX5043_0xF11
AX5043_0xF1C
AX5043_0xF21
AX5043_0xF22
AX5043_0xF23
AX5043_0xF26
AX5043_0xF34
AX5043_0xF35
AX5043_0xF44
AX5043_PLLLOOP
AX5043_PLLCPI
AX5043_PLLVCODIV
AX5043_PLLVCOI
AX5043_XTALCAP
AX5043_0xF00
AX5043_REF
AX5043_0xF18

Further AX5043 register settings relevant for analog FM operation are hard coded in the COMMON/set_fm_tx() and COMMON/set_fm_rx() routines. They are described in the further sections of this document.

AX5043 registers related to preamble matching and the packet engine are irrelevant for analog FM operation.

Receive Side

Hardware Setup

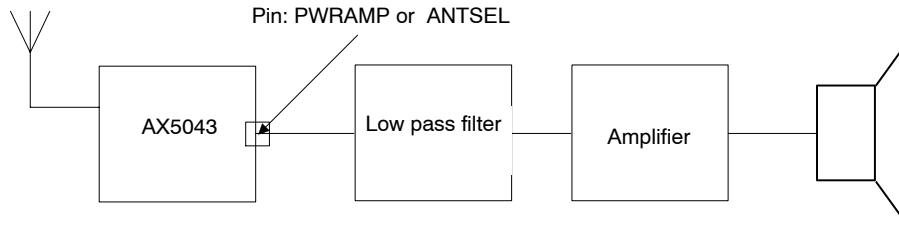


Figure 1.

The AX5043 features a bitstream DAC, which can output a demodulated baseband signal. The output can be configured to be on pin ANTSEL or PWRAMP. On the ON Semiconductor DVK2b modules PWRAMP is used. To convert the bitstream into an audio signal a low pass filter and an amplifier are required. The low pass filter on the DVK2b modules is first order with a cutoff frequency of 1.8 kHz. For better audio quality a higher order filter is required.

Software Configuration

Analog FM mode is selected by setting AX5043_MODULATION = 0x0B .

The following points have to be considered:

1. RX bandwidth and IF configuration function as in other receive modes.
2. The formula for AX5043_RXDATARATE is the same as for digital receive modes, except that BITRATE is replaced by f_{SR} , the sampling rate of the baseband signal.
3. AX5043_RXPARAMSETS = 0x00 ensures that the RX parameter set 0 is used at all times. Therefore receiver parameter sets 1, 2 and 3 are not used. Registers related to preamble matching and the packet engine are not used.

4. Bit timing recovery should be disabled by setting AX5043_TIMEGAIN0, AX5043_DRGAIN0 and AX5043_MAXDROFFSET to 0.
5. The AFC loop controlled by AX5043_FREQGAINA and AX5043_FREQGAINB (TRKFREQ) is used as an FM demodulator. The AFC loop controlled by AX5043_FREQGAINC and AX5043_FREQGAIND (TRKRFFREQ) is used for tracking static frequency offsets. AX5043_FREQUENCYLEAK > 0 prevents the demodulator loop from tracking static frequency offsets.
6. In the formulas for AX5043_IFFREQ, AX5043_DECIMATION and AX5043_RXDATARATE listed in the AX5043 Programming Manual, the quantity f_{xtal} should be replaced by $f_{xtal}/2^{(ADCCLKMUX)}$, where ADCCLKMUX = 0xF35[1:0].

The following table shows register settings for FM radio reception with a 16 MHz reference.

Table 3.

Register	Value	Calculation / Comment
AX5043_MODULATION	0x0B	Analog FM
AX5043_IFFREQ	0x0666	25 kHz ($f_{xtal} = 16$ MHz)
AX5043_RXPARAMSETS	0x00	only use receiver parameter set 0
AX5043_TIMEGAIN0	0x00	disable bit timing recovery, which would only add jitter
AX5043_DRGAIN0	0x00	off
AX5043_MAXDROFFSET	0x000000	off
AX5043_MAXRFOFFSET2	0x80CCCC	track at LO1, max 50 kHz @ $f_{xtal} = 16$ MHz
AX5043_FREQUENCYGAINA0	0x0F	off
AX5043_FREQUENCYGAINB0	0x02	bandwidth of "inner" AFC loop used for FM demodulation. $f_{-3dB} = 0.115 \cdot BR$. This is the fastest setting available
AX5043_FREQUENCYGAINC0	0x1F	off
AX5043_FREQUENCYGAIND0	0x08	bandwidth of "outer" AFC loop (tracking frequency mismatch), 78 Hz @ BR = 100 kbps, $f_{xtal} = 16$ MHz

Table 3.

Register	Value	Calculation / Comment
AX5043_FREQUENCYLEAK	0x04	FREQUENCYGAINB0 + 2, prevents the demodulator AFC loop from tracking static frequency offsets
AX5043_DACCONFIG	0x03	output TRKFREQUENCY (= demodulated signal) on DAC
AX5043_DACVALUE1	0x00	
AX5043_DACVALUE0	0x0c	DACSHIFT = 12 bit. This gives maximum volume, downshifting further gives smaller volume
AX5043_PINFUNCWRAMP	0x05	Use PWRAMP pin as DAC output
AX5043_PWRMODE	0x09	FULL RX

With this settings the AX5043 will output a FM radio channel at the set frequency. It is possible to connect a

standard high impedance ear piece directly to the pins on the DVK2b module to listen to the radio.

Transmit Side

Hardware Setup

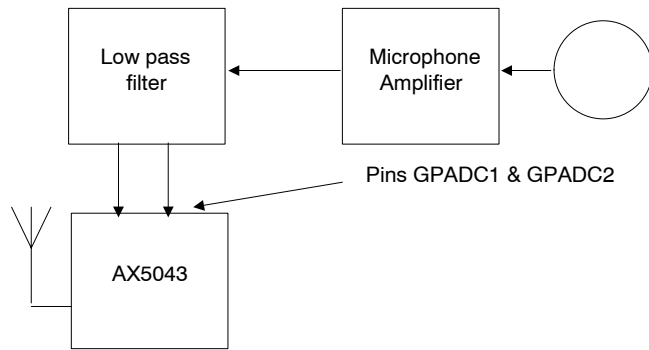


Figure 2.

The baseband (audio) signal should be applied differentially to pins GPADC1 and GPADC2 (Pins 25 and 26) when using the standalone AX5043. The baseband (audio) signal should be applied differentially to pins TST2 and TST1 (Pins 27 and 28) when using the SoC AX8052F143.

The two single ended GPADC input signals should swing around the common mode voltage of 800 mV. The maximum common mode range is ±100 mV. The maximum differential input signal is 1Vpp. Thus the maximum negative input signal is ((800 mV – 250 mV) – (800 mV + 250 mV)) = –500 mV, the maximum positive input signal is ((800 mV + 250 mV) – (800 mV – 250 mV)) = 500 mV. The single ended input impedance of each GPADC pin is 50 kΩ.

A microphone signal should be amplified to ±500 mVpp differential signal.

Software Configuration

Analog FM mode is selected by setting AX5043_MODULATION = 0x0B.

The register FSKDEV has a special meaning when FM modulation is selected. It defines the conditioning of the ADC signal prior modulation.

AX5043_GPADCPERIOD controls the rate at which the analog baseband signal is sampled. AX5043_TXRATE has no meaning in FM mode.

Table 4.

Register	Value	Calculation / Comment
AX5043_MODULATION	0x0B	Analog FM
AX5043_FSKDEV2	0x00	
AX5043_FSKDEV1	0xC0	GPADC13, enable sign extension and offset (=midcode) subtraction.
AX5043_FSKDEV0	0x07	$f_{\text{deviation}} = \pm 65 \text{ kHz}$ [max / min ADC value gives $f_{\text{deviation}} = \pm f_{\text{xtal}} / 2^{(AX5043_FSKDEV0[2:0]+1)}$, allowed values are 0..7


AND9313/D

Table 4.

Register	Value	Calculation / Comment
AX5043_GPADCPERIOD	0x07	$F_s = f_{xtal}/32/GPADCPERIOD \rightarrow 5$ gives 100 kHz @ $f_{xtal} = 16$ MHz. This determines the sampling rate, AX5043_TXRATE has no meaning in FM mode.
AX5043_GPADCTRL	0x06	continuous sampling of GPADC13
AX5043_PINFUNCDATA	0x04	Enables continuous TX operation, rather than powering up the PA only if there is committed FIFO data. This is similar to wire mode, except that no data is read from the pin in FM mode.
AX5043_PWRMODE	0x0D	FULL TX

Conclusion

It is possible to implement FM audio and data transceivers with the AX5043.

ON Semiconductor and  are trademarks of Semiconductor Components Industries, LLC dba ON Semiconductor or its subsidiaries in the United States and/or other countries. ON Semiconductor owns the rights to a number of patents, trademarks, copyrights, trade secrets, and other intellectual property. A listing of ON Semiconductor's product/patent coverage may be accessed at www.onsemi.com/site/pdf/Patent-Marking.pdf. ON Semiconductor reserves the right to make changes without further notice to any products herein. ON Semiconductor makes no warranty, representation or guarantee regarding the suitability of its products for any particular purpose, nor does ON Semiconductor assume any liability arising out of the application or use of any product or circuit, and specifically disclaims any and all liability, including without limitation special, consequential or incidental damages. Buyer is responsible for its products and applications using ON Semiconductor products, including compliance with all laws, regulations and safety requirements or standards, regardless of any support or applications information provided by ON Semiconductor. "Typical" parameters which may be provided in ON Semiconductor data sheets and/or specifications can and do vary in different applications and actual performance may vary over time. All operating parameters, including "Typicals" must be validated for each customer application by customer's technical experts. ON Semiconductor does not convey any license under its patent rights nor the rights of others. ON Semiconductor products are not designed, intended, or authorized for use as a critical component in life support systems or any FDA Class 3 medical devices or medical devices with a same or similar classification in a foreign jurisdiction or any devices intended for implantation in the human body. Should Buyer purchase or use ON Semiconductor products for any such unintended or unauthorized application, Buyer shall indemnify and hold ON Semiconductor and its officers, employees, subsidiaries, affiliates, and distributors harmless against all claims, costs, damages, and expenses, and reasonable attorney fees arising out of, directly or indirectly, any claim of personal injury or death associated with such unintended or unauthorized use, even if such claim alleges that ON Semiconductor was negligent regarding the design or manufacture of the part. ON Semiconductor is an Equal Opportunity/Affirmative Action Employer. This literature is subject to all applicable copyright laws and is not for resale in any manner.

PUBLICATION ORDERING INFORMATION

LITERATURE FULFILLMENT:

Literature Distribution Center for ON Semiconductor
 19521 E. 32nd Pkwy, Aurora, Colorado 80011 USA
Phone: 303-675-2175 or 800-344-3860 Toll Free USA/Canada
Fax: 303-675-2176 or 800-344-3867 Toll Free USA/Canada
Email: orderlit@onsemi.com

N. American Technical Support: 800-282-9855 Toll Free
 USA/Canada
Europe, Middle East and Africa Technical Support:
 Phone: 421 33 790 2910
Japan Customer Focus Center
 Phone: 81-3-5817-1050

ON Semiconductor Website: www.onsemi.com
Order Literature: <http://www.onsemi.com/orderlit>
 For additional information, please contact your local Sales Representative