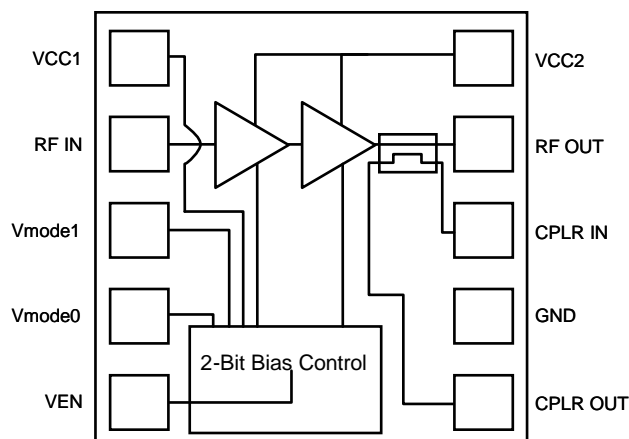


**Multi-mode (WCDMA B5 / CDMA BC0 / HSPA+ / LTE) 3x3mm PA Module**

**Functional Block Diagram**



**Product Description**

The TQM716015 is fully matched Power Amplifier Module designed for use in CDMA (BC0), WCDMA (Bands 5&6) and LTE handsets. Its compact 3x3mm package including a coupler and built-in voltage regulator makes it ideal for today's extremely small data enabled phones. Its RF performance meets the stringent linearity requirements for multi-mode operation.

The TQM716015 is designed on TriQuint's GaAs BiHEMT technology with CuFlip® assembly offering state of the art reliability, temperature stability and ruggedness. The 3-Gain state PA die operates in LPM, MPM and HPM to maximize talk time over the entire range of operating conditions. To simplify the cost/time of calibration while in production the TQM716015 can be used in 1-bit operation; either LPM/HPM with only 3.5mA of IcQ up to +13dBm in LPM, or MPM/HPM with 11mA of IcQ up to +17dBm in MPM.

**Electrical Specifications**

Parameter	Typ	Units
Frequency	836	MHz
WCDMA mode maximum Pout <sup>1</sup>	28.3	dBm
LPM Quiescent Current	3.5	mA
ACLR5	-41	dBc
ACLR10	-56	dBc
Power Supply Current @ 28.3dBm	510	mA
Rx Band Noise	-132	dBm/Hz

Note 1: Test Conditions WCDMA REL99 Test Mode: V<sub>CC</sub>=3.4VDC, V<sub>EN</sub>=HIGH, T<sub>c</sub>=25°C

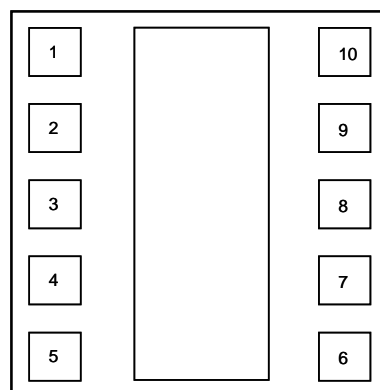
**Features**

- GaAs BiHEMT / CuFlip® PA Technology
- Typical Quiescent Current values:  
LPM: 3.5 mA  
MPM: 11 mA  
HPM: 80 mA
- Excellent Linearity in all modes
- Excellent Phase Discontinuity
- Integrated high performance coupler
- Built-in voltage regulator functionality eliminating any external switch circuitry
- Small 10-pin, 3x3mm module
- Lead-free 260°C / RoHS / Halogen-free
- Full ESD protection

**Applications**

- WCDMA B5 Applications
- CDMA2000 Cellular (BC0) Applications
- HSDPA/HSUPA/HSPA+ Applications
- LTE-Compatible Applications

**Package Style**



10-Pin Laminate Module  
Top View (through package)

**Data Sheet**

For additional information and latest specifications, see our website: [www.triquint.com](http://www.triquint.com)  
Revision N, August 08, 2012

