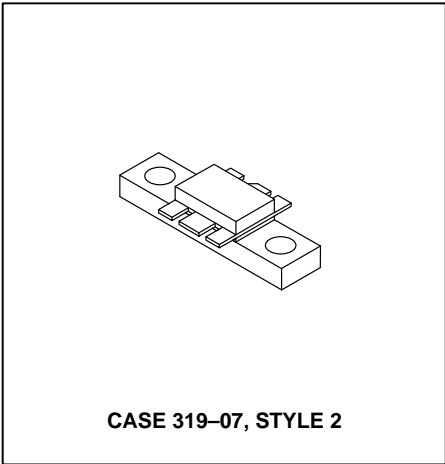
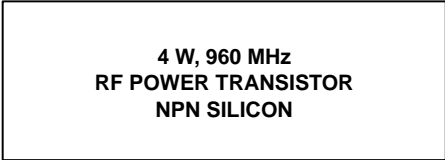
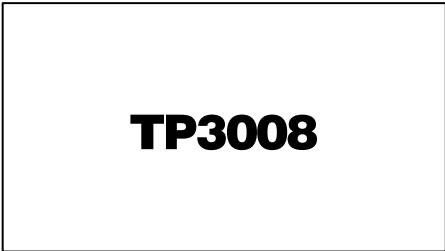


The RF Line RF Power Transistor

The TP3008 is designed for 960 MHz cellular radio base stations in both analog and digital applications. It incorporates high value emitter ballast resistors, gold metallizations and offers a high degree of reliability and ruggedness.

- Specified 24 Volts, 960 MHz Characteristics
 - Output Power — 4 Watts
 - Gain — 11.5 dB min
 - Efficiency — 45% min
- Class AB Operation
- Circuit board photomaster available upon request by contacting RF Tactical Marketing in Phoenix, AZ.



MAXIMUM RATINGS

Rating	Symbol	Value	Unit
Collector-Emitter Voltage	V_{CER}	40	Vdc
Collector-Base Voltage	V_{CBO}	50	Vdc
Emitter-Base Voltage	V_{EBO}	4	Vdc
Collector-Current — Continuous	I_C	1	Adc
Total Device Dissipation @ $T_C = 25^\circ\text{C}$ Derate above 25°C	P_D	35 0.2	Watts W/ $^\circ\text{C}$
Storage Temperature Range	T_{stg}	- 65 to +150	$^\circ\text{C}$
Operating Junction Temperature	T_J	200	$^\circ\text{C}$

THERMAL CHARACTERISTICS

Characteristic	Symbol	Max	Unit
Thermal Resistance, Junction to Case	$R_{\theta JC}$	5	$^\circ\text{C}/\text{W}$

ELECTRICAL CHARACTERISTICS ($T_C = 25^\circ\text{C}$ unless otherwise noted.)

Characteristic	Symbol	Min	Typ	Max	Unit
----------------	--------	-----	-----	-----	------

OFF CHARACTERISTICS

Collector-Emitter Breakdown Voltage ($I_C = 15 \text{ mA}$, $R_{BE} = 75 \Omega$)	$V_{(BR)CER}$	40	—	—	Vdc
Collector-Emitter Breakdown Voltage ($I_C = 3 \text{ mAdc}$)	$V_{(BR)CBO}$	45	—	—	Vdc
Emitter-Base Breakdown Voltage ($I_E = 2 \text{ mA}$, $I_C = 0$)	$V_{(BR)EBO}$	3.5	—	—	Vdc
Collector-Emitter Leakage ($V_{CE} = 26 \text{ V}$, $R_{BE} = 75 \Omega$)	I_{CER}	—	—	2	mA

ON CHARACTERISTICS

DC Current Gain ($I_C = 0.2 \text{ Adc}$, $V_{CE} = 5 \text{ Vdc}$)	h_{FE}	15	—	120	—
---	----------	----	---	-----	---

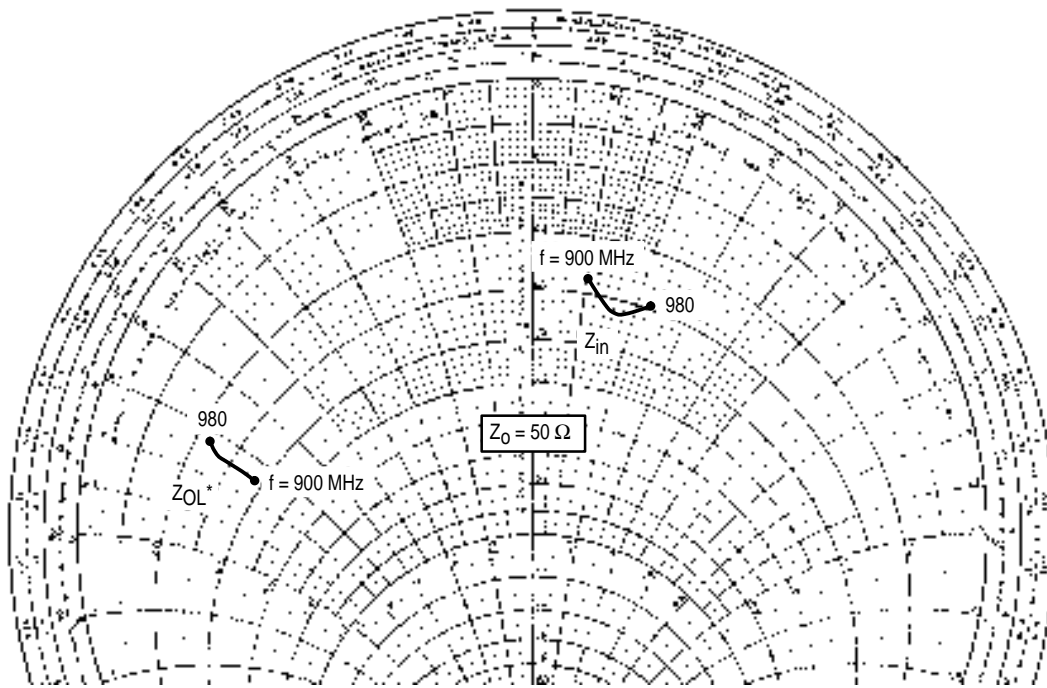
DYNAMIC CHARACTERISTICS

Output Capacitance ($V_{CE} = 24 \text{ V}$, $I_E = 0$, $f = 1 \text{ MHz}$)	C_{ob}	—	6	—	pF
---	----------	---	---	---	----

(continued)

ELECTRICAL CHARACTERISTICS — continued ($T_C = 25^\circ\text{C}$ unless otherwise noted.)

Characteristic	Symbol	Min	Typ	Max	Unit
FUNCTIONAL TESTS ($V_{CC} = 24\text{ V}$, $f = 960\text{ MHz}$)					
Common-Emitter Amplifier Gain ($P_{out} = 4\text{ W}$, $I_{CQ} = 50\text{ mA}$)	G_p	11.5	—	—	dB
Collector Efficiency ($P_{out} = 4\text{ W}$, $I_{CQ} = 50\text{ mA}$)	h	45	50	—	%
Load Mismatch ($P_{out} = 4\text{ W}$, $I_{CQ} = 50\text{ mA}$, Load VSWR = 5:1, all phase angles at frequency of test)	Ψ	No Degradation in Output Power			

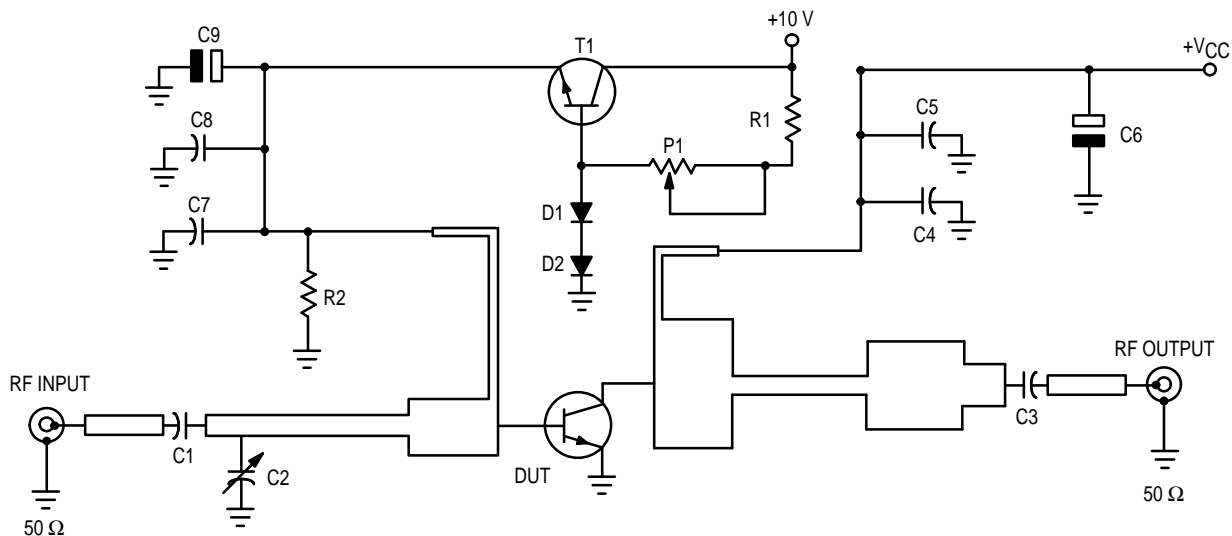


Output impedance with circuit tuned for maximum gain
@ $P_{out} = 4\text{ W}$, $V_{CE} = 24\text{ V}$

f (MHz)	Z_{in} (Ω)	Z_{OL}^* (Ω)
900	$6 + j5$	$7.6 - j15$
935	$6.2 + j4.7$	$5.5 - j13.5$
960	$6.8 + j3.6$	$5.5 - j13.5$
980	$7.2 + j2$	$5.3 - j13.5$

Z_{OL}^* = Conjugate of optimum load impedance into which the device operates at a given output power, voltage, current and frequency.

Figure 1. Series Equivalent Input and Output Impedance



Components List

C1,C3	100 pF, ATC Chip Capacitor 100A	D1,D2	Diode, BAS16
C2	1 to 5 pF, Trimmer Capacitor	P1	1 k Ω , Trimmer
C4,C7	330 pF, Chip Capacitor 0805	R1	1 k Ω , Resistor
C5,C8	10 nF, Chip Capacitor 0805	R2	56 Ω , 0805 Resistor
C6	15 μ F, 63 V, Capacitor	T1	Transistor, NPN Type, MJD31C
C9	100 μ F, 16 V, Capacitor		

Figure 2. 960 MHz Electrical Schematic

TYPICAL CHARACTERISTICS

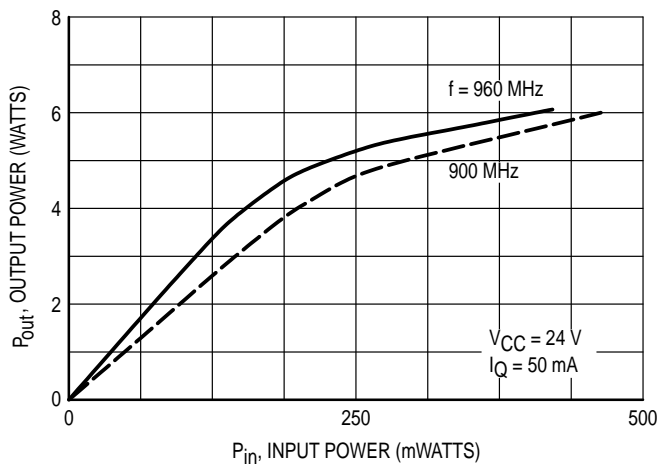


Figure 3. Output Power versus Input Power

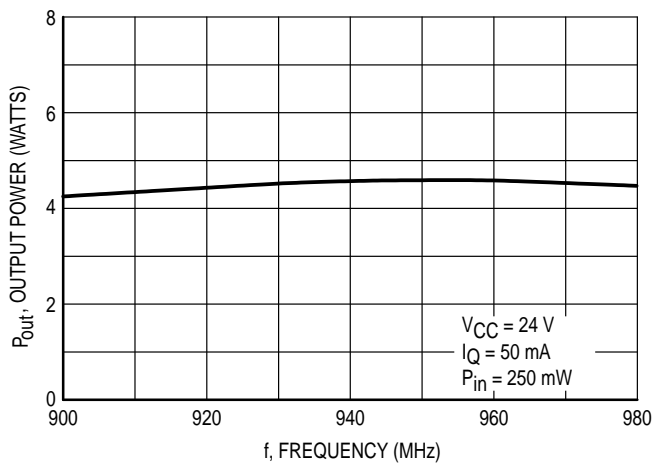


Figure 4. Output Power versus Frequency

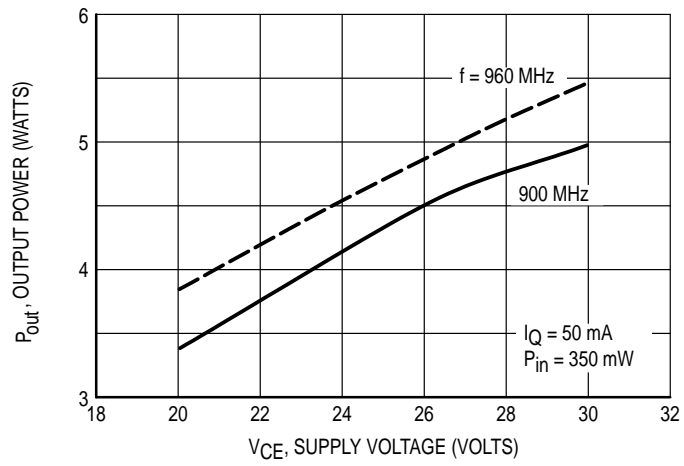


Figure 5. Output Power versus Supply Voltage

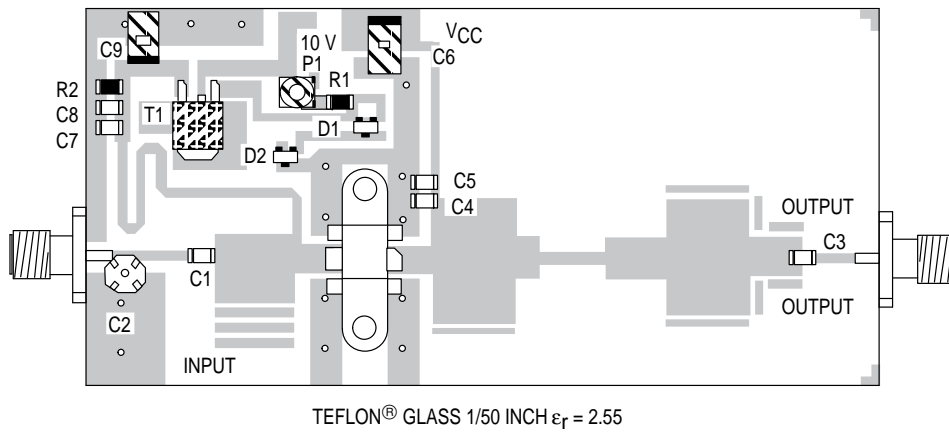
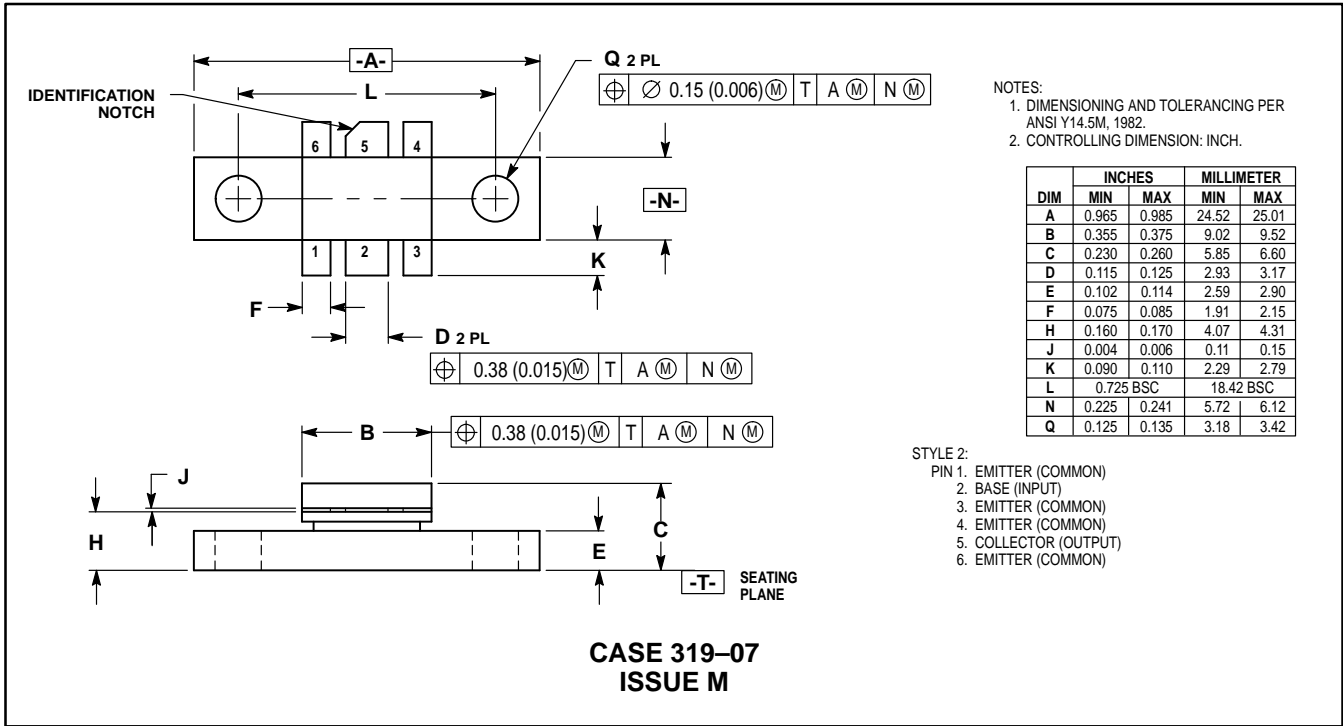



Figure 6. 960 MHz Test Circuit Components View

PACKAGE DIMENSIONS



Motorola reserves the right to make changes without further notice to any products herein. Motorola makes no warranty, representation or guarantee regarding the suitability of its products for any particular purpose, nor does Motorola assume any liability arising out of the application or use of any product or circuit, and specifically disclaims any and all liability, including without limitation consequential or incidental damages. "Typical" parameters can and do vary in different applications. All operating parameters, including "Typicals" must be validated for each customer application by customer's technical experts. Motorola does not convey any license under its patent rights nor the rights of others. Motorola products are not designed, intended, or authorized for use as components in systems intended for surgical implant into the body, or other applications intended to support or sustain life, or for any other application in which the failure of the Motorola product could create a situation where personal injury or death may occur. Should Buyer purchase or use Motorola products for any such unintended or unauthorized application, Buyer shall indemnify and hold Motorola and its officers, employees, subsidiaries, affiliates, and distributors harmless against all claims, costs, damages, and expenses, and reasonable attorney fees arising out of, directly or indirectly, any claim of personal injury or death associated with such unintended or unauthorized use, even if such claim alleges that Motorola was negligent regarding the design or manufacture of the part. Motorola and  are registered trademarks of Motorola, Inc. Motorola, Inc. is an Equal Opportunity/Affirmative Action Employer.

How to reach us:

USA / EUROPE: Motorola Literature Distribution;
P.O. Box 20912; Phoenix, Arizona 85036. 1-800-441-2447

JAPAN: Nippon Motorola Ltd.; Tatsumi-SPD-JLDC, Toshikatsu Otsuki,
6F Seibu-Butsuryu-Center, 3-14-2 Tatsumi Koto-Ku, Tokyo 135, Japan. 03-3521-8315

MFAX: RMFAX0@email.sps.mot.com – TOUCHTONE (602) 244-6609
INTERNET: <http://Design-NET.com>

HONG KONG: Motorola Semiconductors H.K. Ltd.; 8B Tai Ping Industrial Park,
51 Ting Kok Road, Tai Po, N.T., Hong Kong. 852-26629298



TP3008/D