

FEATURES

- Integrated 80mΩ Power MOSFET
- 2V to 24V Input Voltage
- 1.2MHz Fixed Switching Frequency
- Internal 4A Switch Current Limit
- Adjustable Output Voltage
- Internal Compensation
- Up to 28V Output Voltage
- Automatic Pulse Frequency Modulation Mode at Light Loads
- up to 97% Efficiency
- Available in a 6-Pin SOT23-6 Package

APPLICATIONS

- Battery-Powered Equipment
- Set-Top Boxed
- LCD Bias Supply
- DSL and Cable Modems and Routers
- Networking cards powered from PCI or PCI express slots

GENERAL DESCRIPTION

The SDB628 is a constant frequency, 6-pin SOT23 current mode step-up converter intended for small, low power applications. The SDB628 switches at 1.2MHz and allows the use of tiny, low cost capacitors and inductors 2mm or less in height. Internal soft-start results in small inrush current and extends battery life.

The SDB628 features automatic shifting to pulse frequency modulation mode at light loads. The SDB628 includes under-voltage lockout, current limiting, and thermal overload protection to prevent damage in the event of an output overload. The SDB628 is available in a small 6-pin SOT-23 package.

TYPICAL APPLICATION

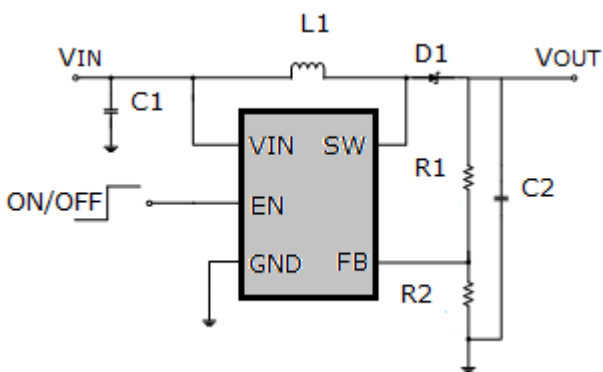


Figure 1. Basic Application Circuit

Efficiency

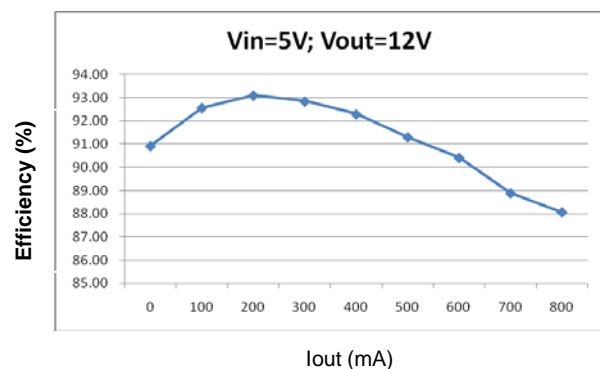


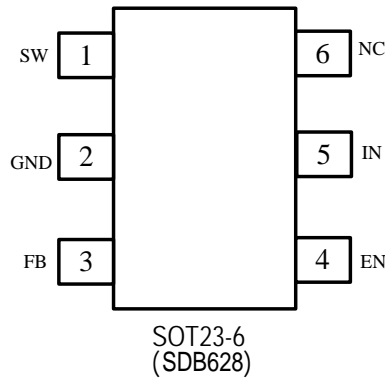
Figure 2. Efficiency Curve

ABSOLUTE MAXIMUM RATINGS

IN, EN voltages -0.3V to 26V
Operating Temperature..... -40°C to +85°C
FB Voltages-0.3V to 6V
Junction Temperature160°C

SW Voltage-0.3V to 30V
Storage Temperature Range -65°C to 150°C
Peak SW Sink and Source Current4A
Lead Temperature (Soldering, 10s) ...+300°C

PACKAGE/ORDER INFORMATION



PIN DESCRIPTION

| PIN | NAME | FUNCTION |
|-----|------|---|
| 1 | SW | Power Switch Output. SW is the drain of the internal MOSFET switch. Connect the power inductor and output rectifier to SW. SW can swing between GND and 28V. |
| 2 | GND | Ground Pin |
| 3 | FB | Feedback Input. The FB voltage is 0.6V. Connect a resistor divider to FB. |
| 4 | EN | Regulator On/Off Control Input. A high input at EN turns on the converter, and a low input turns it off. When not used, connect EN to the input supply for automatic startup. |
| 5 | IN | Input Supply Pin. Must be locally bypassed. |
| 6 | NC | NC |

ELECTRICAL CHARACTERISTICS

(V_{IN}=V_{EN}=5V, T_A = 25°C, unless otherwise noted.)

| Parameter | Conditions | MIN | TYP | MAX | unit |
|----------------------------------|--------------------------------------|-------|-----|-------|------|
| Operating Input Voltage | | 2 | | 24 | V |
| Under Voltage Lockout | | | | 1.98 | V |
| Under Voltage Lockout Hysteresis | | | 100 | | mV |
| Current (Shutdown) | V _{EN} = 0V | | 0.1 | 1 | μA |
| Quiescent Current (PFM) | V _{FB} =0.7V, No switch | | 100 | 200 | μA |
| Quiescent Current (PWM) | V _{FB} =0.5V, switch | | 1.6 | 2.2 | mA |
| Switching Frequency | | | 1.2 | | MHz |
| Maximum Duty Cycle | V _{FB} = 0V | 90 | | | % |
| EN Input High Voltage | | 1.5 | | | V |
| EN Input Low Voltage | | | | 0.4 | V |
| FB Voltage | | 0.588 | 0.6 | 0.612 | V |
| FB Input Bias Current | V _{FB} = 0.6V | -50 | -10 | | nA |
| SW On Resistance (1) | | | 80 | 150 | mΩ |
| SW Current Limit (1) | V _{IN} = 5V, Duty cycle=50% | | 4 | | A |
| SW Leakage | V _{SW} = 20V | | | 1 | μA |
| Thermal Shutdown | | | 155 | | °C |

Note:

1) Guaranteed by design, not tested.

OPERATION

SDB628 uses a fixed frequency, peak current mode boost regulator architecture to regulate voltage at the feedback pin. The operation of the SDB628 can be understood by referring to the block diagram of Figure 3. At the start of each oscillator cycle the MOSFET is turned on through the control circuitry. To prevent sub-harmonic oscillations at duty cycles greater than 50 percent, a stabilizing ramp is added to the output of the current sense amplifier and the result is fed into the negative input of the PWM comparator. When this voltage equals

The output voltage of the error amplifier the power MOSFET is turned off. The voltage at the output of the error amplifier is an amplified version of the difference between the 0.6V bandgap reference voltage and the feedback voltage. In this way the peak current level keeps the output in regulation. If the feedback voltage starts to drop, the output of the error amplifier increases. These results in more current to flow through the power MOSFET, thus increasing the power delivered to the output. The SDB628 has internal soft start to limit the amount of input current at startup and to also limit the amount of overshoot on the output.

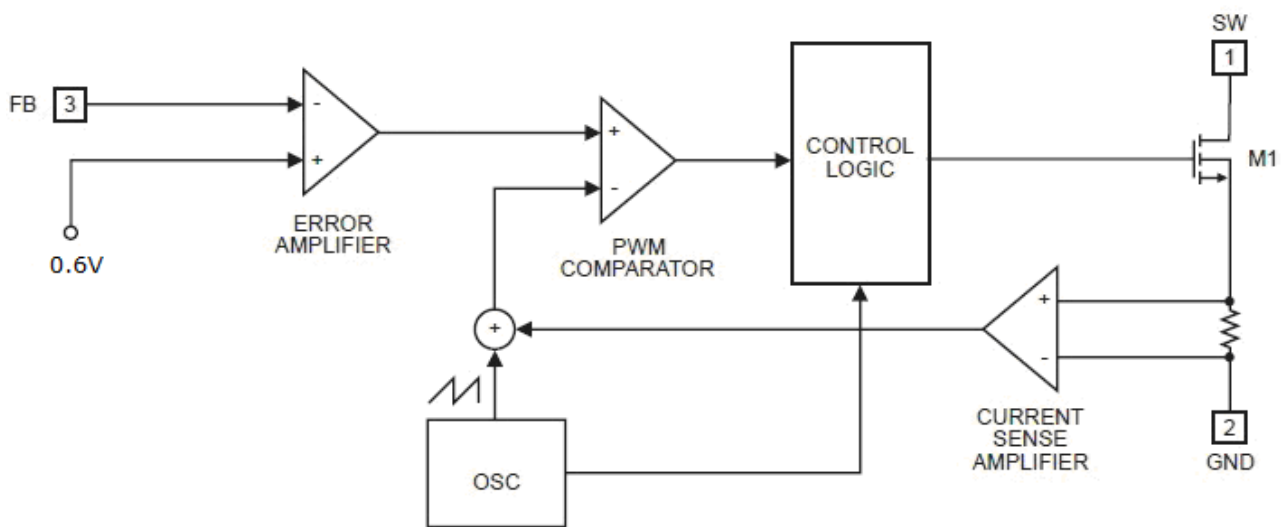
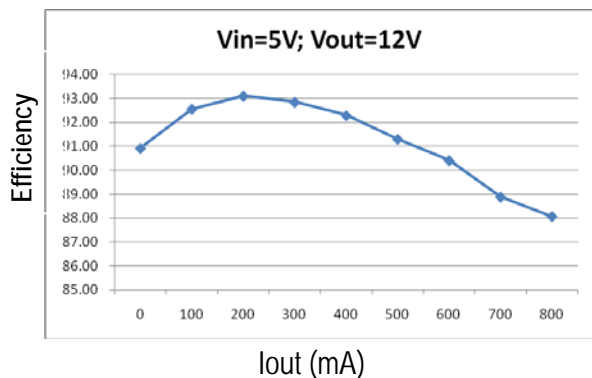


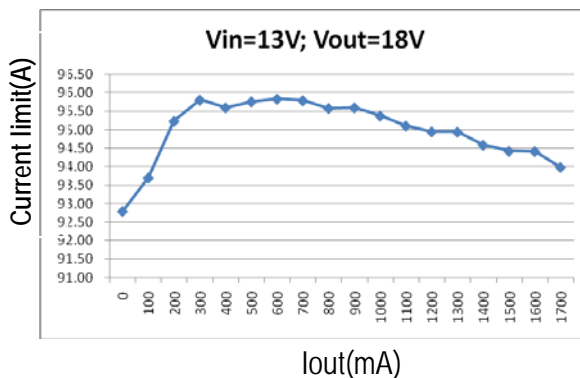
Figure 3. Functional Block Diagram

TYPICAL OPERATING CHARACTERISTICS

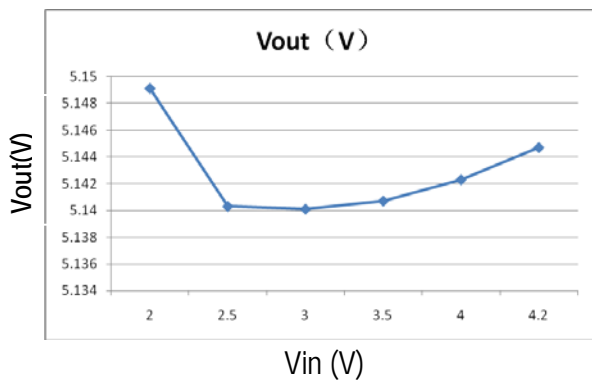
Efficiency Curve



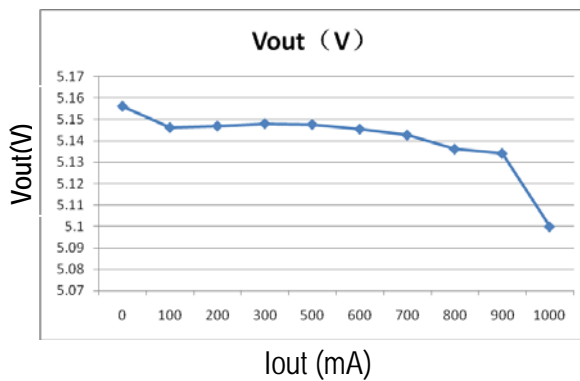
Efficiency Curve



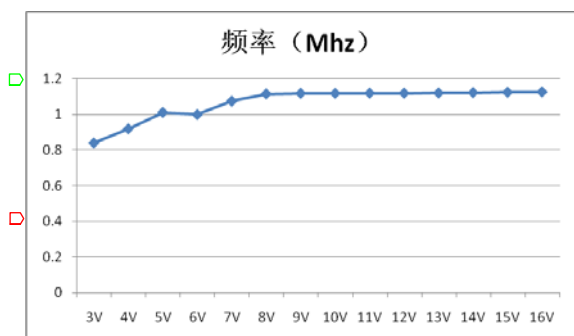
line Regulation



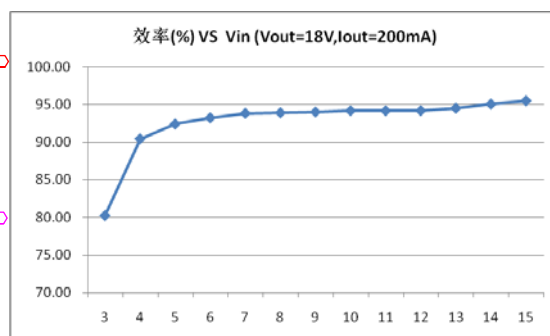
Load regulation



Freq VS V_{in}



Efficiency VS V_{in}



APPLICATION INFORMATION

Setting the Output Voltage

The internal reference V_{REF} is 0.6V (Typical). The output voltage is divided by a resistor divider, R_1 and R_2 to the FB pin. The output voltage is given by

$$V_{OUT} = V_{REF} \times \left(1 + \frac{R_1}{R_2}\right)$$

Inductor Selection

The recommended values of inductor are 4.7 to 22 μ H. Small size and better efficiency are the major concerns for portable device, such as SDB628 used for mobile phone. The inductor should have low core loss at 1.2MHz and low DCR for better efficiency. To avoid inductor saturation current rating should be considered.

Capacitor Selection

Input and output ceramic capacitors of 22 μ F are recommended for SDB628 applications. For better voltage filtering, ceramic capacitors with low ESR are recommended. X5R and X7R types are suitable because of their wider voltage and temperature ranges.

Diode Selection

Schottky diode is a good choice for SDB628 because of its low forward voltage drop and fast reverses recovery. Using Schottky diode can get better efficiency. The high speed rectification is also a good characteristic of Schottky diode for high switching frequency. Current rating of the diode must meet the root mean square of the peak current and output average current multiplication as following :

$$I_D (RMS) \approx \sqrt{I_{OUT} \times I_{PEAK}}$$

The diode' s reverse breakdown voltage should be larger than the output voltage.

Layout Consideration

For best performance of the SDB628, the following guidelines must be strictly followed.

- Input and Output capacitors should be placed close to the IC and connected to ground plane to reduce noise coupling.
- The GND should be connected to a strong ground plane for heat sinking and noise protection.
- Keep the main current traces as possible as short and wide.
- SW node of DC-DC converter is with high frequency voltage swing. It should be kept at a small area.
- Place the feedback components as close as possible to the IC and keep away from the noisy devices.

PACKAGE DESCRIPTION

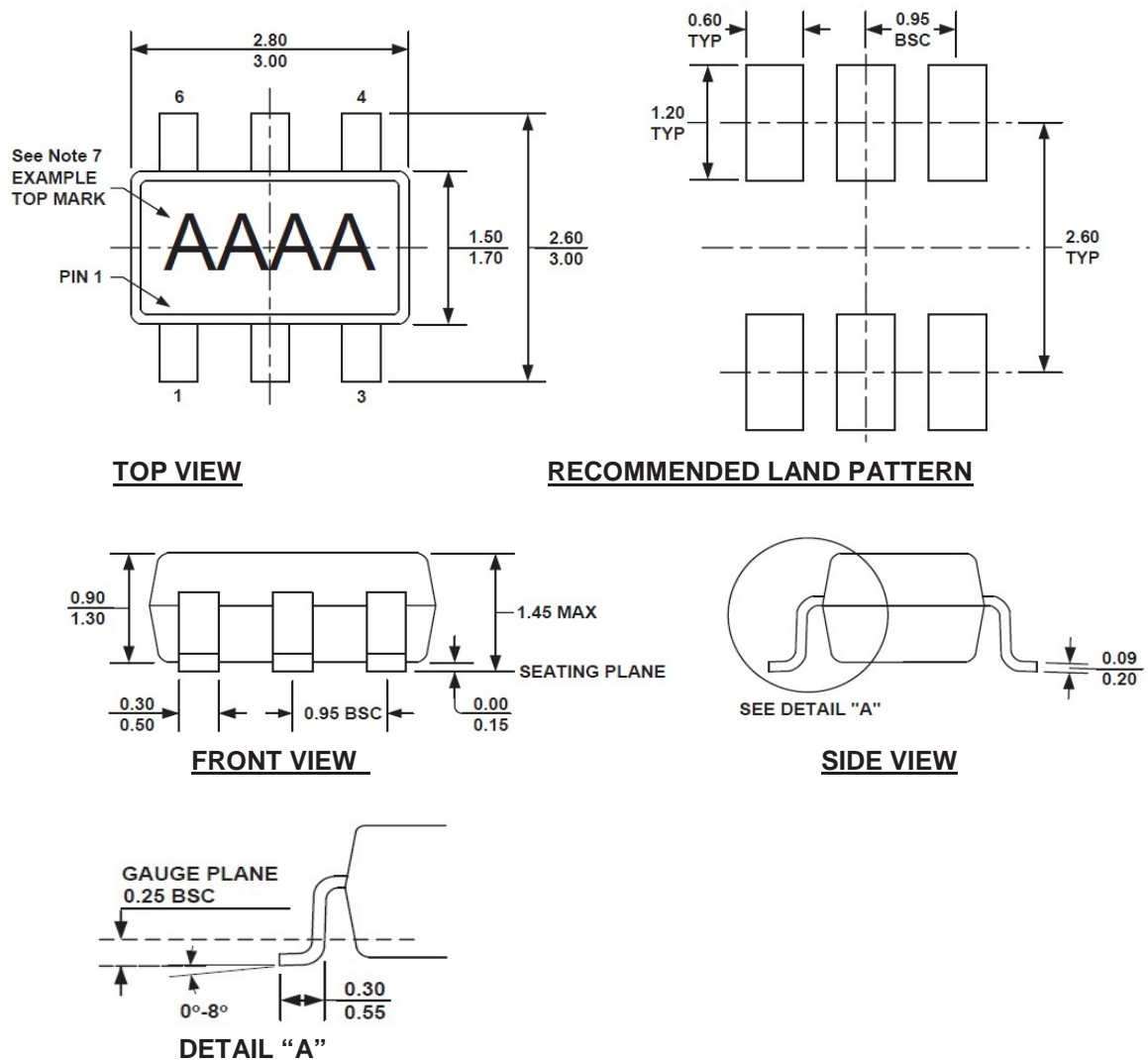


Figure 4. TSOT23-6/SOT23-6 Physical Dimensions

NOTE:

- 1) ALL DIMENSIONS ARE IN MILLIMETERS.
- 2) PACKAGE LENGTH DOES NOT INCLUDE MOLD FLASH, PROTRUSION OR GATE BURR.
- 3) PACKAGE WIDTH DOES NOT INCLUDE INTERLEAD FLASH OR PROTRUSION.
- 4) LEAD COPLANARITY (BOTTOM OF LEADS AFTER FORMING) SHALL BE 0.10 MILLIMETERS MAX.
- 5) DRAWING CONFORMS TO JEDEC MO-193, VARIATION AB.
- 6) DRAWING IS NOT TO SCALE.
- 7) PIN 1 IS LOWER LEFT PIN WHEN READING TOP MARK FROM LEFT TO RIGHT, (SEE EXAMPLE TOP MARK)