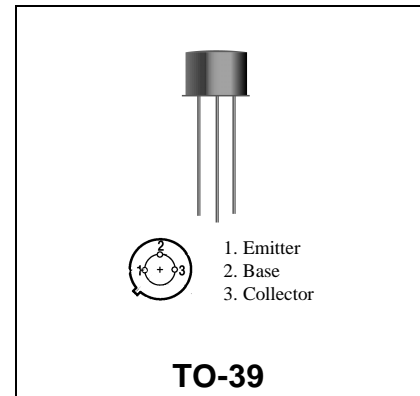


**RF & MICROWAVE DISCRETE
LOW POWER TRANSISTORS**

Features

- Silicon NPN, To-39 packaged VHF/UHF Transistor
- Specified 400 MHz, 28Vdc Characteristics
 - Output Power = 1.0 Watt
 - Minimum Gain = 10 dB
 - Efficiency = 45%
- 800 MHz Current-Gain Bandwidth Product



DESCRIPTION:

Silicon NPN transistor, designed for VHF and UHF equipment. Applications include amplifier; pre-driver, driver, and output stages. Also suitable for oscillator and frequency-multiplier functions.

ABSOLUTE MAXIMUM RATINGS (Tcase = 25°C)

Symbol	Parameter	Value	Unit
V _{CEO}	Collector-Emitter	30	Vdc
V _{CBO}	Collector-Base Voltage	55	Vdc
V _{EBO}	Emitter-Base Voltage	3.5	Vdc
I _c	Collector Current	400	mA

Thermal Data

P_D	Total Device Dissipation	5.0	Watts
	Derate above 25°C	28.6	mW/ °C

ELECTRICAL SPECIFICATIONS (Tcase = 25°C)

STATIC

(off)

Symbol	Test Conditions	Value			Unit
		Min.	Typ.	Max.	
BVCER	Collector-Emitter Breakdown Voltage (IC = 5.0 mAdc, RBE = 10 ohms)	55	-	-	Vdc
BVCEO	Collector-Emitter Sustaining Voltage (IC=5.0 mAdc, IB=0)	30	-	-	Vdc
BVCBO	Collector-Base Breakdown Voltage (IE = 0, IC = 0.1 mAdc)	55	-	-	Vdc
BVEBO	Emitter-Base Breakdown Voltage (IE = 0.1 mAdc, IC = 0)	3.5	-	-	Vdc
ICEO	Collector Cutoff Current (VCE = 28 Vdc, IB = 0)	-	-	20	μA
ICEX	Collector Cutoff Current (VCE = 55 Vdc, VBE = 1.5 Vdc)	-	-	100	μA

(on)

HFE	DC Current Gain (IC = 360 mAdc, VCE = 5.0 Vdc) Both (IC = 50 mAdc, VCE = 5.0 Vdc) 2N3866 (IC = 50 mAdc, VCE = 5.0 Vdc) 2N3866A	5.0	-	-	-
		10	-	200	-
		25	-	200	-
VCE(sat)	Collector-Emitter Saturation Voltage (IC = 100 mAdc, IB = 20 mAdc)	-	-	1.0	Vdc

DYNAMIC

Symbol	Test Conditions	Value			Unit
		Min.	Typ.	Max.	
f _T	Current-Gain - Bandwidth Product (IC = 50 mAdc, VCE = 15 Vdc, f = 200 MHz)	2N3866 500	800	-	MHz
		2N3866A 800	-	-	
COB	Output Capacitance (VCB = 30 Vdc, IE = 0, f = 1.0 MHz)	-	2.8	3.5	pF

FUNCTIONAL

Symbol	Test Conditions	Value			Unit
		Min.	Typ.	Max.	
G_{PE}	Power Gain	Test Circuit-Figure 1 Pin = 0.1 W, VCE = 28Vdc f = 400 MHz, TC = 25 C			dB
P_{out}	Output Power	Test Circuit-Figure 1 Pin = 0.1 W, VCE = 28Vdc f = 400 MHz, TC = 25 C			Watts
η_c	Collector Efficiency	Test Circuit-Figure 1 Pin = 0.1 W, VCE = 28Vdc f = 400 MHz, TC = 25 C			%

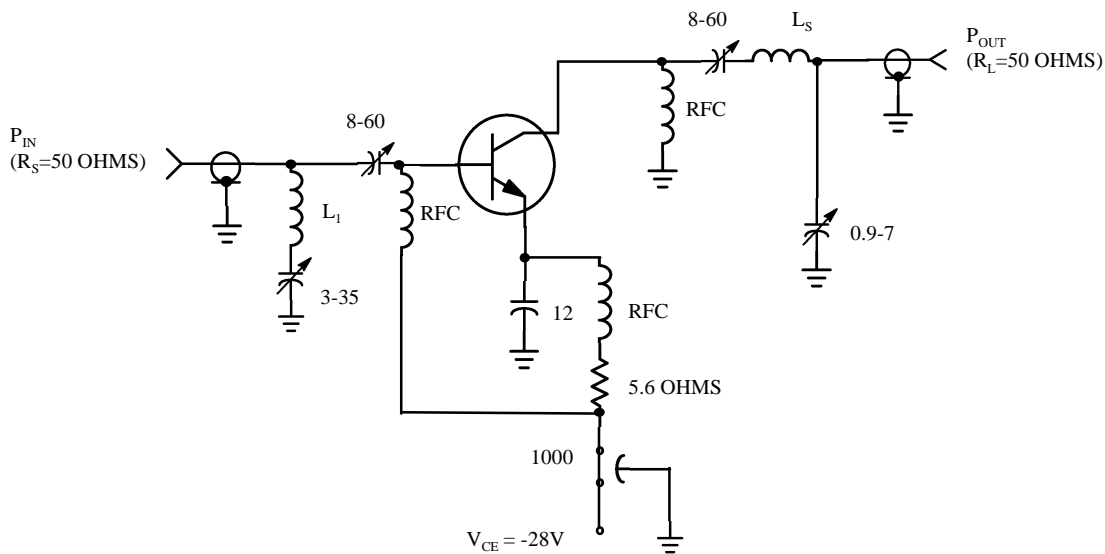


Figure 1 - 400 MHz RF AMPLIFIER CIRCUIT FOR G_{PE} , P_{OUT} , AND EFFICIENCY SPECIFICATIONS.

L_1 : 2 TURNS No. 18 wire, 1/4" ID, 1/8" long

L_s : 2 3/4 TURNS No. 18 wire, 1/4" ID, 3/16" long

Capacitor values in pF unless otherwise indicated.

Tuning capacitors are air variable

RF Low Power PA, LNA, and General Purpose Discrete Selector Guide

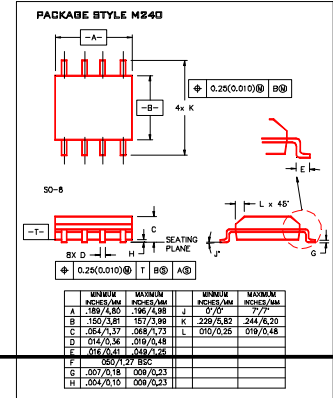
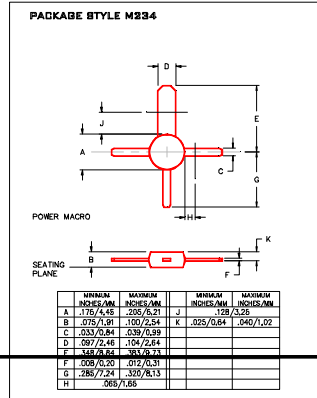
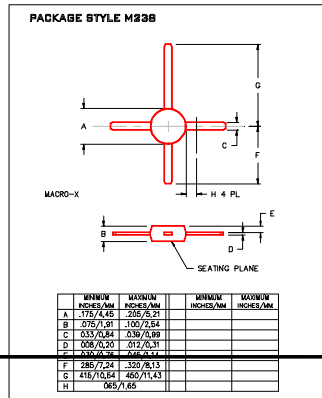
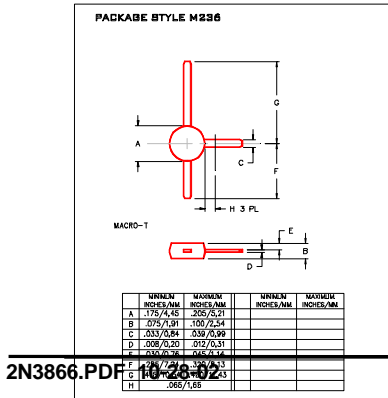
Package	Device	Type	GPE Freq (MHz)	Pout	GPE (dB)	Efficiency (%)	GPE VCC	BVCEO	IC max (mA)
SO-8	MRF4427, R2	NPN	175	0.15	18	60	12	20	400
TO-39	2N4427	NPN	175	1	10	50	12	20	400
POWER MACRO	MRF553	NPN	175	1.5	11.5	60	12.5	16	500
POWER MACRO	MRF553T	NPN	175	1.5	11.5	50	12.5	16	500
TO-39	MRF607	NPN	175	1.75	11.5	50	12.5	16	330
TO-39	2N6255	NPN	175	3	7.8	50	12.5	18	1000
TO-72	2N5179	NPN	200		20		6	12	50
MACRO X	MRF559	NPN	512	0.5	10	65	7.5	16	150
MACRO X	MRF559	NPN	512	0.5	13	60	12.5	16	150
TO-39	2N3866A	NPN	400	1	10	45	28	30	400
SO-8	MRF3866, R1, R2	NPN	400	1	10	45	28	30	400
POWER MACRO	MRF555	NPN	470	1.5	11	50	12.5	16	400
POWER MACRO	MRF555T	NPN	470	1.5	11	50	12.5	16	400
MACRO X	MRF559	NPN	870	0.5	6.5	70	7.5	16	150
MACRO X	MRF559	NPN	870	0.5	9.5	65	12.5	16	150
SO-8	MRF8372, R1, R2	NPN	870	0.75	8	55	12.5	16	200
POWER MACRO	MRF557	NPN	870	1.5	8	55	12.5	16	400
POWER MACRO	MRF557T	NPN	870	1.5	8	55	12.5	16	400

Package	Device	Type	Freq (MHz)	NF (dB)	NF IC (mA)	NF VCE	GNF (dB)	Gu Max (dB)	Ftau (MHz)	Ccb(pF)	BVCEO	IC max (mA)	
TO-39	2N5109	NPN	200	3	10	15		12	1200	3.5	20	400	
TO-39	MRF5943C	NPN	200	3.4	30	15		11.4	1400		30	400	
SO-8	MRF5943, R1, R2	NPN	200	3.4	30	15		15	1300		30	400	
TO-72	2N5179	NPN	200	4.5	1.5	6		17	900	1	12	50	
TO-72	2N2857	NPN	300	5.5	50	6		13	1600	1	15	40	
TO-39	MRF517	NPN	300	7.5	50	15		5.5	4600	3	25	150	
TO-72	MRF904	NPN	450	1.5	5	6		11	4000	1	15	30	
TO-72	2N6304	NPN	450	5	2	5		14	1400	1	15	50	
MACRO T	BFR91	NPN	500	1.9	2	5	11	16.5	5000	1	12	35	
MACRO T	BFR96	NPN	500	2	10	10		14.5	500	2.6	15	100	
SO-8	MRF5812, R1, R2	NPN	500	2	50	10	15.5	17.8	5000		15	200	
MACRO X	MRF581A	NPN	500	2	50	10	14	15	5000		15	200	
Macro	BFR90	NPN	500	2.4	2	10	15	18	5000	1	15	30	
TO-72	BFY90	NPN	500	2.5	2	5		20	1300		15	50	
TO-72	MRF914	NPN	500	2.5	5	10		15	4500		12	40	
MACRO X	MRF581	NPN	500	2.5	50	10	15	17.8	5000		16	200	
TO-39	MRF586	NPN	500	3	90	15	11	14.5	4500	2.2	17	200	
MACRO X	MRF951	NPN	1000	1.3	5	6	14	17	8000	0.45	10	100	
MACRO X	MRF571	NPN	1000	1.5	10	6	10		8000	1	10	70	
MACRO T	BFR91	NPN	1000	2.5	2	5	8	11	5000	1	12	35	
MACRO T	BFR90	NPN	1000	3	2	10	10	12.5	5000	1	15	30	
TO-39	MRF545	PNP							14	1400	2	70	400
TO-39	MRF544	NPN							13.5	1500		70	400

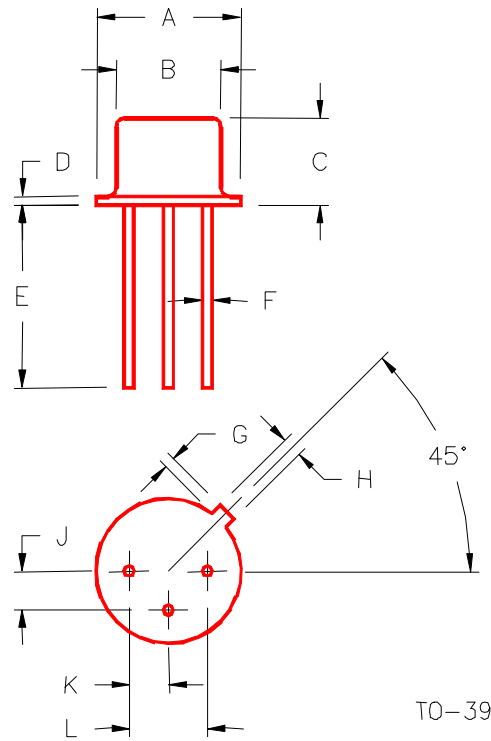
RF (Low Power PA / General Purpose) Selection

RF (LNA / General Purpose) Selection Guide

Low Cost RF Plastic Package Options



PACKAGE STYLE M246



	MINIMUM INCHES/MM	MAXIMUM INCHES/MM		MINIMUM INCHES/MM	MAXIMUM INCHES/MM
A	.350/8,89	.370/9,40	J	.095/2,41	.105/2,67
B	.315/8,00	.335/8,51	K	.095/2,41	.105/2,67
C	.240/6,10	.260/6,60	L	.190/4,83	.210/5,33
D	.015/0,38	.045/1,14			
E	.500/12,70				
F	.016/0,41	.019/0,48			
G	.029/0,74	.040/1,02			
H	.028/0,71	.034/0,86			